

**Item # 732-0002 VDC, Clip Flush Rectangular**



**VDC, Clip Flush Rectangular**

The Redington Model 732 provides a DC Hour Meter with an operating range of 10-80VDC. Models are protected for two times battery voltage and/or reverse polarity. Models are available in the standard industry housings. Its quartz time base insures accurate long-term time keeping. The Totally Sealed case protects against the environment and provides years of reliable service. All applicable models are NEMA 4X, 12 rated when mounted with optional gasket.

---

**Specifications**

---

<b>Model No.</b>	732
<b>Mounting</b>	Clip Flush-Rectangular
<b>Reset</b>	Non-reset
<b>Termination</b>	1/4 inch (6.3mm) spade terminals
<b>Display</b>	6 - digits, 0.125 inch (3.2mm) 99999.9 Hours - white on black Tenths - red on white
<b>Display Height</b>	0.125 Inch
<b>Display Height</b>	3.2 mm
<b>No. of Digits</b>	6
<b>Records</b>	99999.9 hours
<b>Accuracy</b>	± 0.02 over entire range
<b>Input Voltage</b>	10-80 VDC
<b>Power</b>	0.3 watts at 12VDC
<b>Operating Temperature</b>	-40 to +185 °F
<b>Operating Temperature</b>	-40 to +85 °C
<b>Case Material</b>	Black Polymer
<b>Weight</b>	2 oz
<b>Weight</b>	57 gm

<b>Panel Cutout</b>	1.45 x 0.95 Inch
<b>Panel Cutout</b>	36.8 x 24.1 mm
<b>Approvals</b>	UL/CSA Recognized, CE Compliant
<b>Environmental Protection</b>	Totally sealed
<b>Vibration</b>	10-75 Hz
<b>Stock Availability</b>	Yes
<b>Max. Panel Thickness</b>	0.03 to 0.63 Inch
<b>Max. Panel Thickness</b>	0.76 to 16.00 mm
<b>Accessory</b>	5003-009 (NEXA 4X, 12 Gasket)



**Description**

The Redington Model 732 is available in 3-Hole Round, Flush-Rectangular, Flush-Round and 2-Hole Rectangular. Models 732-0002 and 732-0004 fit a panel opening of 1.45" X 0.95" [36.8mm X 24.1mm]. The Flush-Round Model 732-0003 and 3-Hole Model 732-0001 fit a panel opening of 2.0" [50.6mm]. Its quartz time base insures accurate long-term time keep. It is NEMA 4X,12 rated when mounted with optional gasket.

**Features**

- Operating voltage 10-80VDC
- Totally sealed
- UL/CSA Recognized, CE Compliant
- 6 Figure, 99999.9
- Quartz accuracy

**Options**

- Wire leads
- 3-hole mount gasket kit (part# 5003-007S) (for NEMA 4X, 12 rating)

**Specifications**

**Figures:** 6 - digits, 0.125" [3.2mm] 99999.9  
 Hours - white on black  
 Tenths - red on white

**Reset:** Non-reset

**Voltage:** 10-80VDC

**Power:** 0.3 watts @ 12VDC

**Mounting:** Clip or mounting holes

**Termination:** ¼" [6.3mm] spade terminals

**Weight:** 2.0 oz [57 g]

**Accuracy:** ± 0.02 over entire range

**Case Material:** Black polymer

**Agency Approvals:** UL/CSA Recognized, CE Compliant

**Environmental:** Totally sealed (all models)

**Front Panel:** Model: 732-0001, NEMA 4X, 12 rated with optional gasket (part# 5003-007S)

**Temperature:** -40°F to +185°F [-40°C to + 85°C]

**Vibration:** 10-75 Hz @ 1 to 8g's

**Models Description**

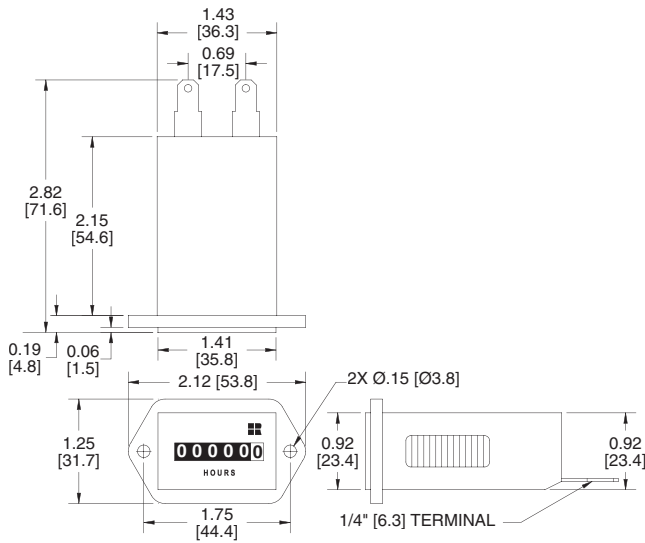
<b>732-0001</b>	3-Hole Round,	10-80VDC,	¼" [6.3mm] spade terminals,	hours & 1/10's
<b>732-0002</b>	Flush-Rectangular,	10-80VDC,	¼" [6.3mm] spade terminals,	hours & 1/10's
<b>732-0003</b>	Flush-Round,	10-80VDC,	¼" [6.3mm] spade terminals,	hours & 1/10's
<b>732-0004</b>	2-Hole Rectangular,	10-80VDC,	¼" [6.3mm] spade terminals,	hours & 1/10's
<b>5003-007S</b>	NEMA 4X, 12 Gasket kit and hardware for 3-Hole Round model (732-0001)			

\* All items are normally in factory stock.



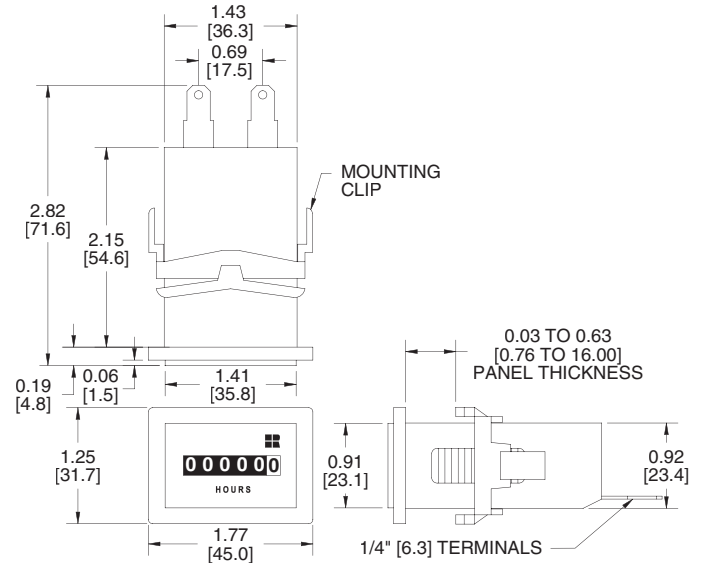
Dimensions

2-Hole



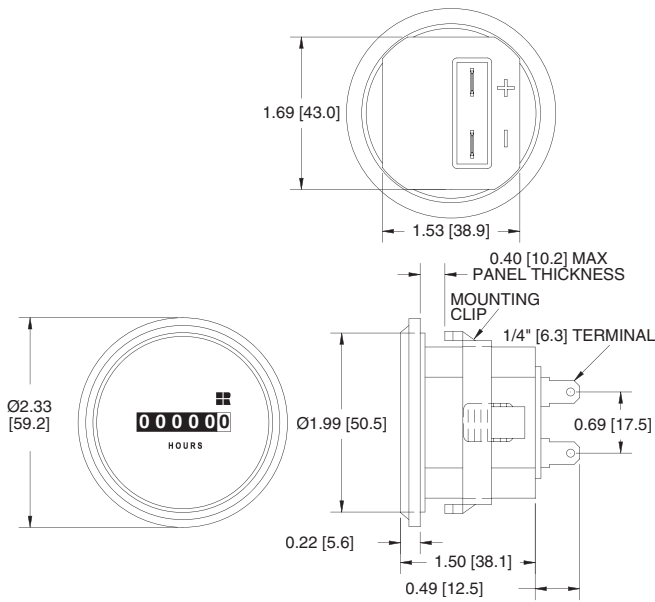
Panel Opening: 1.45" X 0.95" [36.8 X 24.1]

Flush-Rectangular



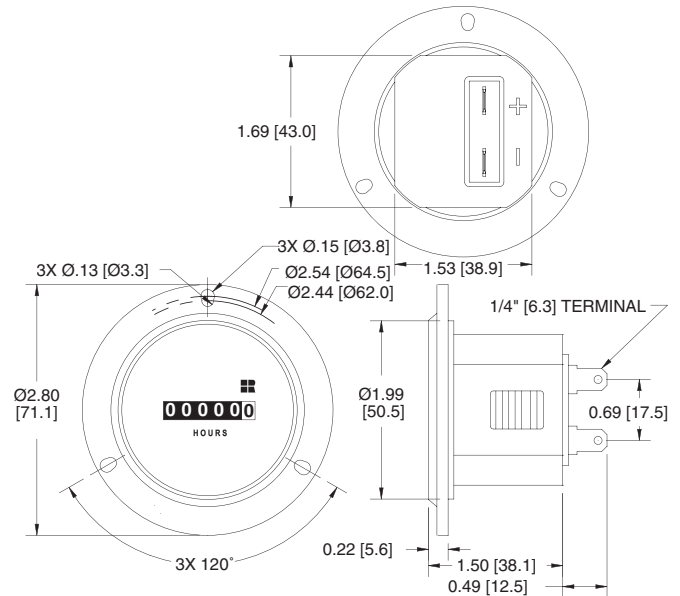
Panel Opening: 1.45" X 0.95" [36.8 X 24.1]  
Maximum Panel Thickness: 0.03 to 0.63 [0.76 to 16.00]

Flush-Round



Panel Opening: 2.0" [50.6]  
Maximum Panel Thickness: 0.40 [10.2]

3-Hole Round



Panel Opening: 2.0" [50.6]

Applications

Medical Equipment



Outdoor power equipment



Utility Vehicles

